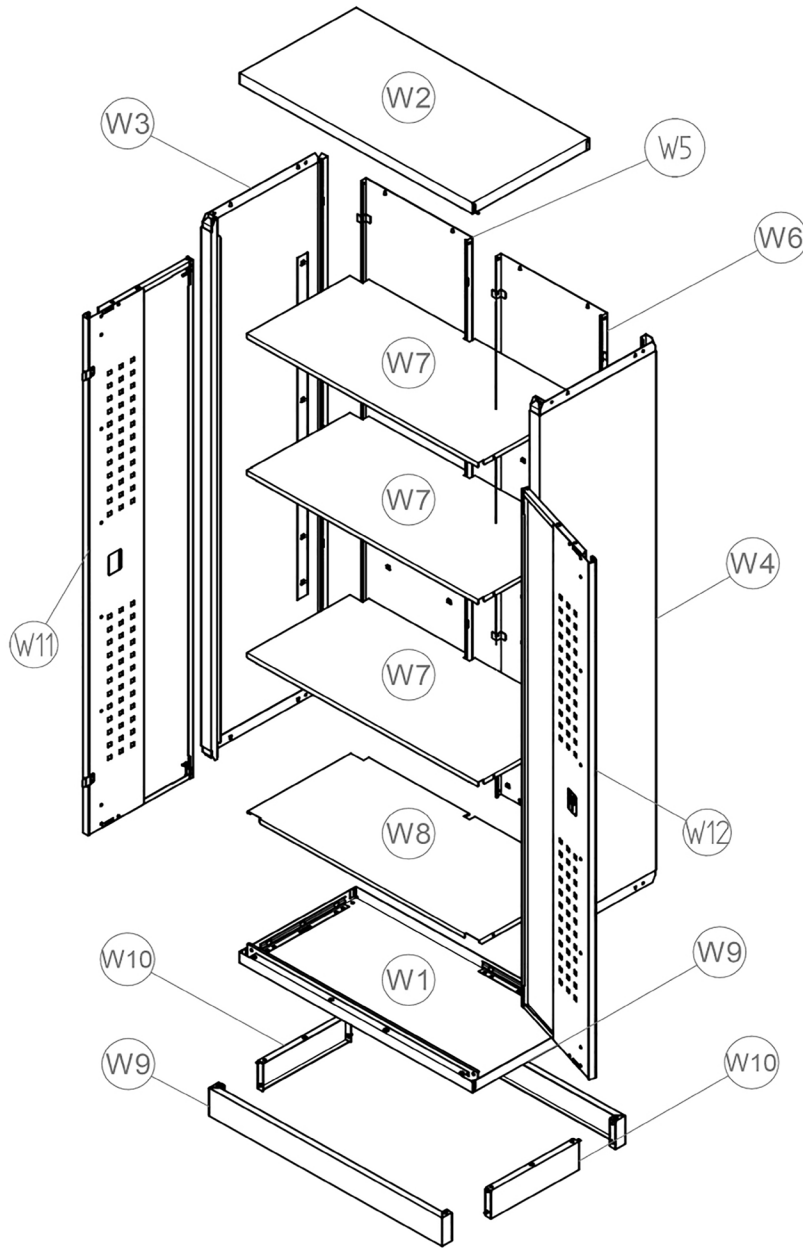


Parts Information:  
**Superline PRO® Modular Full Height Floor Cabinet 2 Door 915mm**  
**Model No: APMS56**



Item	Part No.	Description
W1	APMS56.W1	BOTTOM PANEL
W2	APMS56.W2	TOP PANEL
W3	APMS56.W3	LEFT SIDE PANEL
W4	APMS56.W4	RIGHT SIDE PANEL
W5	APMS56.W5	LEFT BACK PANEL
W6	APMS56.W6	RIGHT BACK PANEL
W7	APMS56.W7	ADJUSTABLE SHELF 910X435X20
W8	APMS56.W8	BOTTOM SHELF 910X435X20
W9	APMS56.W9	BASE FRONT PANEL

Item	Part No.	Description
W10	APMS56.W10	BASE SIDE PANEL
W11	APMS56.W11	DOOR, LEFT
W12	APMS56.W12	DOOR, RIGHT
--	APMS57.01	DOOR LATCH (NOT SHOWN)
--	APMS56.02	DOOR PULL w/o LOGO 1812mm (NOT SHOWN)
--	APMS56.03	LOCK & KEY (NOT SHOWN)
--	APMS56.04	DOOR MAGNET (NOT SHOWN)
--	APMS56.05	DOOR HINGE (NOT SHOWN)

**NOTE:** It is our policy to continually improve products and as such we reserve the right to alter data, specifications and component parts without prior notice. There may be alternative versions of this product, please contact us should you require this information.

**IMPORTANT:** No liability is accepted for incorrect use of product. Spare parts must be fitted by a competent person

**WARRANTY:** Guarantee is 12 months from purchase date, proof of which will be required for any claim.